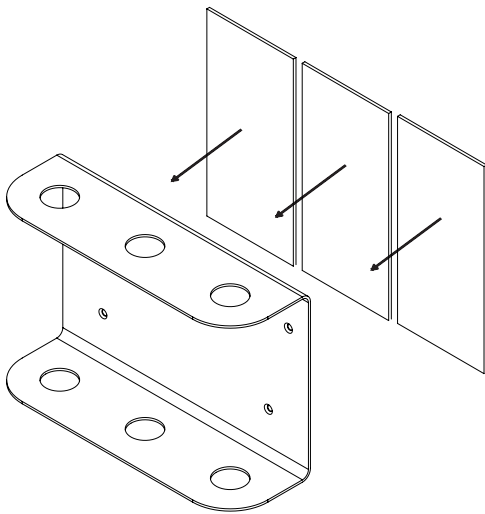


**INSTALLATION**

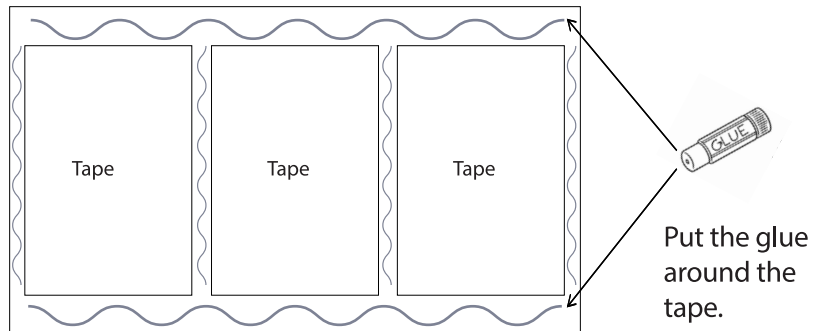
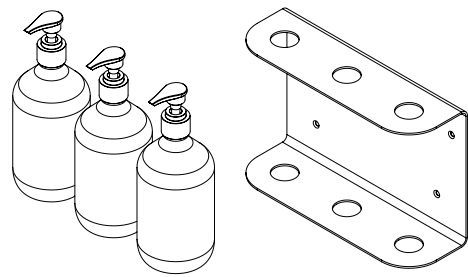
**METHOD 1 : MOUNTING WITH TAPE & GLUE**

- 1.** Clean the wall surface to remove any dirt or debris, rinse and allow to dry completely. Give a final wipe with a dry cloth to make sure the wall is perfectly clean and dry.

- 3.** Install the triple bottle holder using both double-sided tape and the glue provided.

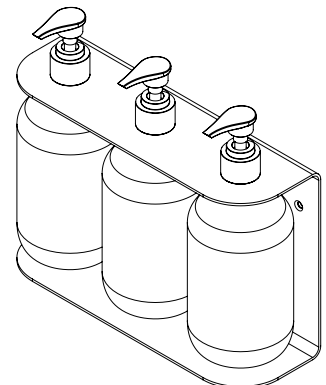


- 2.** Remove the bottles from the holder.



- 4.** Allow 48hrs for the glue to cure before fitting the bottles in the holder.

- 5.** Fill bottles with the liquid and fit to the bottle holder.



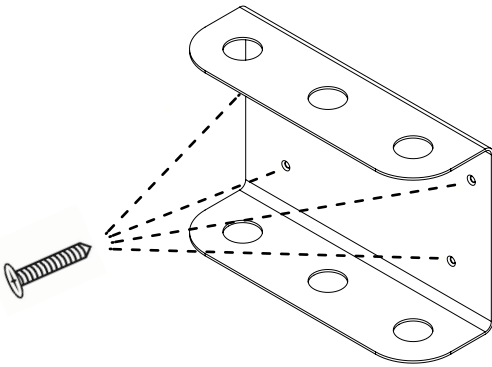
**METHOD 2 : MOUNTING WITH SCREWS (FIXINGS NOT INCLUDED)**

**TOOLS REQUIRED**

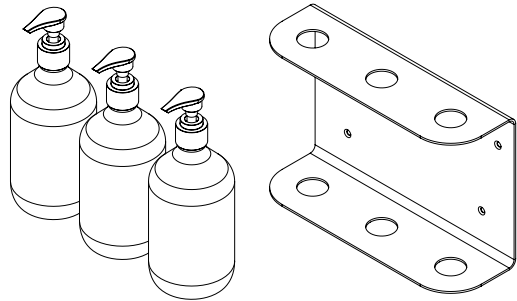
- Screwdriver

**1.** Clean the wall surface to remove any dirt or debris, rinse and allow to dry completely. Give a final wipe with a dry cloth to make sure the wall is perfectly clean and dry.

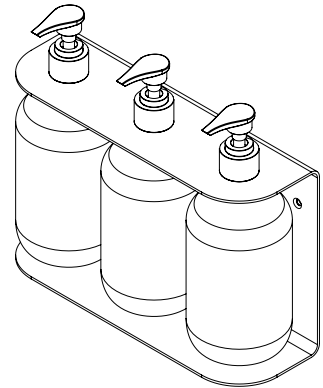
**3.** Fix the bottle holder to the wall with screws, ensure you are using appropriate fixings to your wall type.



**2.** Remove the bottles from the holder.



**4.** Fill bottles with the liquid and fit to the bottle holder.



**Distributed By:**

Visy Retail Services Pty Ltd (AU):  
Ph: 1300 734 714  
living-elements.com.au

Visy Board Limited (NZ):  
Ph: 0800 443 058  
living-elements.co.nz