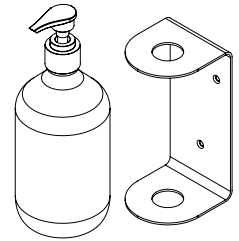


INSTALLATION

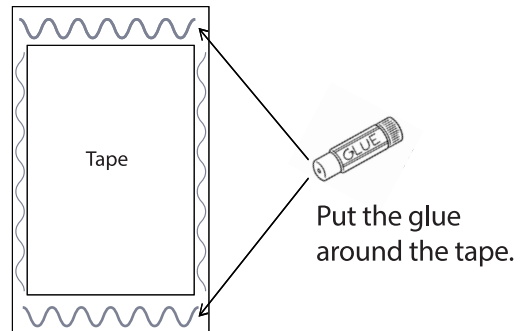
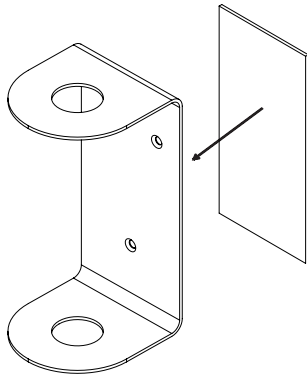
METHOD 1 : MOUNTING WITH TAPE & GLUE

- 1.** Clean the wall surface to remove any dirt or debris, rinse and allow to dry completely. Give a final wipe with a dry cloth to make sure the wall is perfectly clean and dry.

- 2.** Remove the bottle from the holder.

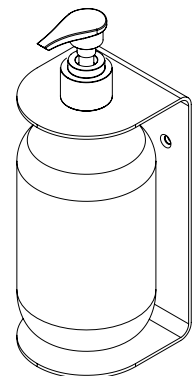


- 3.** Install the bottle holder using both double-sided tape and the glue provided.



- 4.** Allow 48hrs for the glue to cure before fitting the bottle in the holder.

- 5.** Fill bottle with the liquid and fit to the bottle holder.



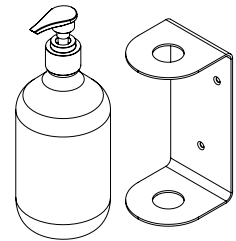
METHOD 2 : MOUNTING WITH SCREWS (FIXINGS NOT INCLUDED)

TOOLS REQUIRED

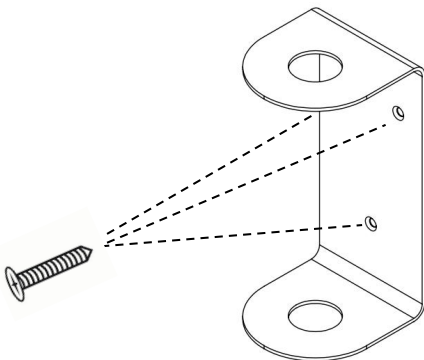
- Screwdriver

1. Clean the wall surface to remove any dirt or debris, rinse and allow to dry completely. Give a final wipe with a dry cloth to make sure the wall is perfectly clean and dry.

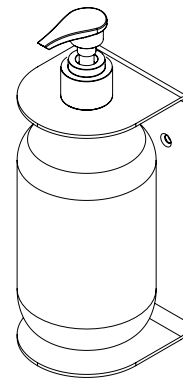
2. Remove the bottle from the holder.



3. Fix the bottle holder to the wall with screws, ensure you are using appropriate fixings to your wall type.



4. Fill bottle with the liquid and fit to the bottle holder.



Distributed By:

Visy Retail Services Pty Ltd (AU):
Ph: 1300 734 714
living-elements.com.au

Visy Board Limited (NZ):
Ph: 0800 443 058
living-elements.co.nz